

# Inductor for power line radial

## 『TZNL95105CA SERIES』



### ■ Features

- Low DC resistance and High power capacities
- Bulk and taping packaging
- Applies to Variety of electronic equipments.

### ■ 特長

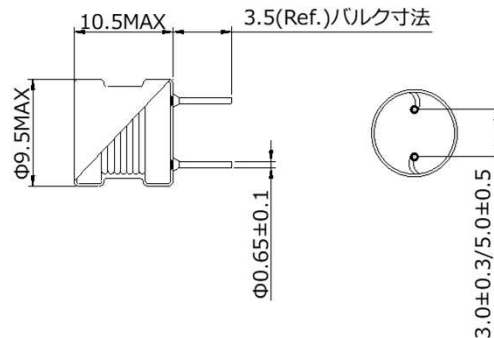
- 低抵抗、高出力。
- バルク及び、テーピング梱包です。
- 種々の電子装置に応用出来ます。

### ■ Dimensios

Appearance/外観



Dimensions/形状寸法



### ■ Electric Specifications/電気特性

#### ● TYPE TZNL95105CA (φ 9.5mm × 10.5mm Hight)

DSC Part Number	Inductance (μH)		DC Resistance (Ω) MAX	Rated current (A) MAX
		公差		
TZNL95105CA- 2R2	2.2	±20%	0.010	5.60
TZNL95105CA- 3R3	3.3		0.012	4.50
TZNL95105CA- 4R7	4.7		0.015	3.80
TZNL95105CA- 6R8	6.8		0.021	3.20
TZNL95105CA- 100	10		0.030	2.60
TZNL95105CA- 150	15		0.042	2.10
TZNL95105CA- 220	22		0.063	1.70
TZNL95105CA- 390	39		0.097	1.30
TZNL95105CA- 470	47	±10%	0.11	1.20
TZNL95105CA- 560	56		0.13	1.10
TZNL95105CA- 680	68		0.16	1.00
TZNL95105CA- 820	82		0.19	0.90
TZNL95105CA- 101	100		0.23	0.80
TZNL95105CA- 151	150		0.38	0.67
TZNL95105CA- 221	220		0.54	0.54
TZNL95105CA- 331	330		0.73	0.45
TZNL95105CA- 471	470		1.05	0.38
TZNL95105CA- 561	560		1.25	0.36
TZNL95105CA- 681	680		1.60	0.32
TZNL95105CA- 821	820		1.80	0.35
TZNL95105CA- 102	1,000		2.20	0.26
TZNL95105CA- 222	2,200		4.45	0.17
TZNL95105CA- 332	3,300		6.75	0.14
TZNL95105CA- 472	4,700		11.6	0.15
TZNL95105CA- 562	5,600	12.6	0.12	

### ■ Conditions/測定条件

(1)The rated DC current is that which cause a 10% inductance reduction from the initial value or

inductor surface temperature to rise by 20°C, whichever is smaller.

定格電流は、インダクタンスが初期値から10%低下又は、表面温度が20°C上昇のいずれか小さい方の値です。

(2)The measuring frequency and surroundngs temperature are 100 kHz and 25°C, respectively.

測定周波数: 100kHz。測定周囲温度: 25°C。